

# KUS-C Ring Force Transducer with Customizable Dimensions

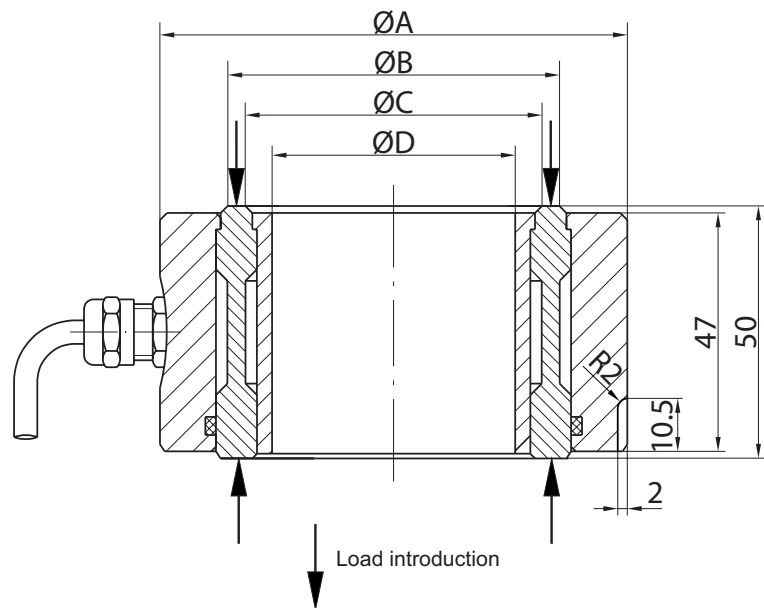
## Applications

- Force monitoring and controlling on the rope ends of lifting
- Sensing shim
- Container cranes
- Lifts

## Features

- Wide range of loads
- Monitoring forces
- Made of stainless steel
- Adjustment to the guide sleeve according to the customer possible
- Anti rotation lock

## Dimensions (mm)

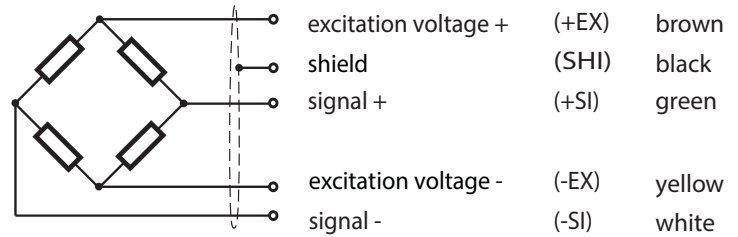


Dimension	Rated Force in kN	A (mm)	B (mm)	C (mm)	D (mm) *
0	10/ 20	44	29	19.5	12/ 16
1	20/ 40/ 60	55	39	29.5	16.5/ 20.5/ 26
2	40/ 60/ 100	64	49	39.5	20.5/ 24.5/ 30.5/ 36
3	60/ 100/ 160	75	60	50	30.5/ 40.5/ 45
4	60/ 100/ 160	86	69	61	45.5/ 50.5/ 56
5	60/ 100/ 160	95	79	71	50.5/ 56.5/ 66
6	100/ 160/ 200	104	89	81	60.5/ 65.5/ 76

\* Other diameters (D) on request

## Wiring Code

Cable length 3m



## Specifications

Accuracy Class	% $F_{nom}$	1
Rated (nominal) force ( $F_{nom}$ )	kN	20 ... 200
Maximum operating force ( $F_G$ )	% $F_{nom}$	150
Breaking force ( $F_B$ )	% $F_{nom}$	> 300
Lateral force limit ( $F_Q$ )	% $F_{nom}$	10
Rated characteristic value ( $C_{nom}$ )	mV/V	1 ... 2
Zero signal tolerance	%	$\leq 3$
Reference excitation voltage ( $U_{ref}$ )	VDC	5
Operating range of excitation voltage ( $B_{UG}$ )	VDC	0.5 ... 12
Input resistance ( $R_e$ )	$\Omega$	$760 \pm 60$
Output resistance ( $R_a$ )	$\Omega$	$710 \pm 10$
Insulation resistance ( $R_{is}$ )	$\Omega$	$> 5 \times 10^9$
Relative linearity error ( $d_{lin}$ )	%	$\leq 1.0$
Relative reversibility error ( $v$ )	%	$\leq 1.0$
Temperature effect on zero signal ( $TK_0$ )	%/10K	$\leq 0.5$
Temp. effect on characteristic value ( $TK_c$ )	%/10K	$\leq 0.5$
Relative creep over 30 minutes ( $d_{cr, F+E}$ )	%	$\leq 1.0$
Reference temperature ( $T_{ref}$ )	$^{\circ}C$	+23
Rated temperature range ( $B_{T, nom}$ )	$^{\circ}C$	-20 ... +60
Operating temperature range ( $B_{T, G}$ )	$^{\circ}C$	-30 ... +70
Storage temperature range ( $B_{T, S}$ )	$^{\circ}C$	-40 ... +70
Environmental protection (EN 60529)		IP 65

All data according to VDI/VDE/DKD 2638

## Order Example

Type Code	Description
KUS-C/Gr.2/40kN/D30.5	Force transducer 40kN and diameter 30.5mm
	Diameter in mm
	Rated (nominal) load
	Size
	Model

## Recommended Electronics

Spherical washers (according to DIN 6319)
Conical seats (according to DIN 6319)
Flat washers (according to DIN 6340)

