

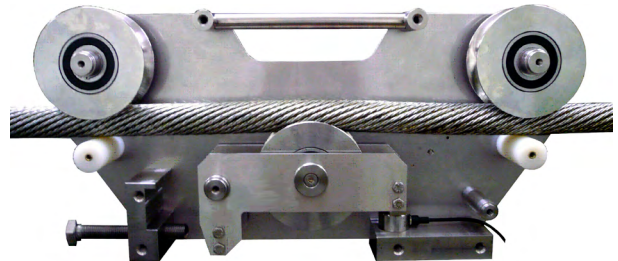
# KSW-3R Wire Rope Overload Guard

## Applications

- Tension sensing on running rope

## Features

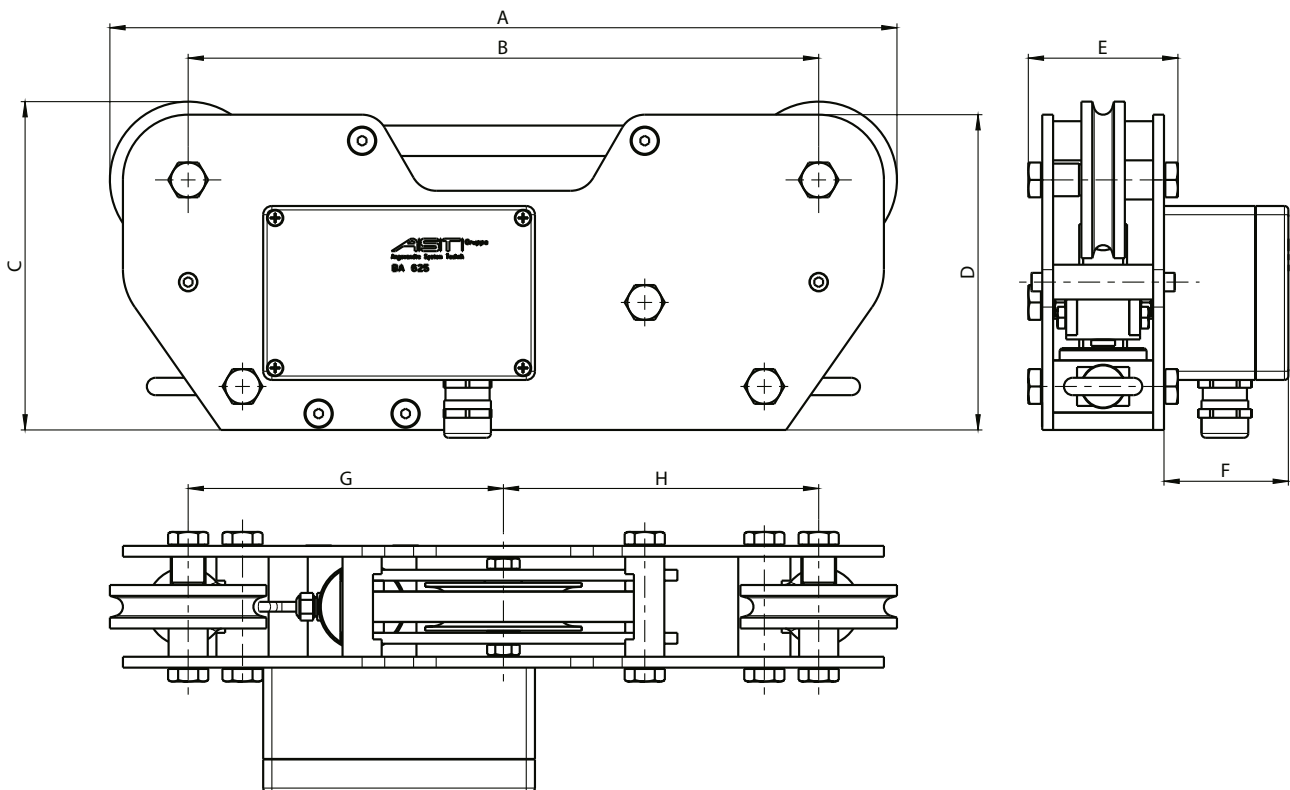
- Size KSW-3R16 to 16mm rope diameter
- Size KSW-3R38 to 38mm rope diameter
- Standard output signal 4 ... 20mA
- Made of stainless steel



## Options

- Impuls transmitter for measuring rope displacement for KSW-3R38

## Dimensions (mm)



Type Code	A (mm)	B (mm)	C (mm)	D (mm)	E (mm)	F (mm)	G (mm)	H (mm)	Weight
KSW-3R16	approx. 400	290	approx. 200	165	76	57	145	145	approx. 7kg
KSW-3R38	approx. 700	520	approx. 300	295	95	57	260	260	approx. 39kg

## Wiring Code

Cable to be connected to amplifier box  $\varnothing$  5 ... 10 mm, refer to datasheet BA 627-KL for more details

## Specifications

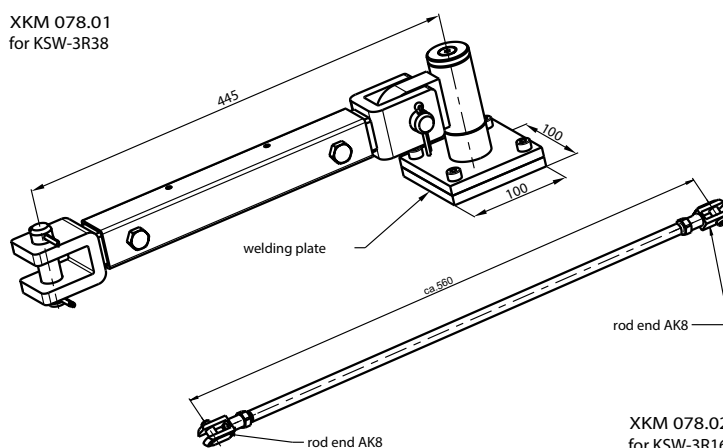
<b>Reproducibility</b> Without regard to the influence of the rope	<b>% S</b> <b>1 %</b> <b>2 %</b> <b>3 %</b>	<b>0.2% Internally for Force Sensor</b> <b>With Resting Rope</b> <b>After Current Rope or After Rope Change</b> <b>After Sensor Change</b>
Rope load diameter Rated load	mm kN	KSW-3R16: to 16mm / KSW-3R38: to 38mm depending on the permissible rope load
<b>Strain gauge measuring amplifier BA 627-KL</b> Scaled output signal Maximum burden Power supply Cable diameter Cable cross section	mA $\Omega$ VDC mm mm <sup>2</sup>	4 ... 20 300 19 ... 28 / 1VA 5 ... 10 0.14 ... 2.5
Reference temperature ( $T_{ref}$ ) Rated temperature range ( $B_{T,nom}$ ) Storage temperature range ( $B_{T,s}$ ) Environmental protection (EN 60529)	$^{\circ}C$ $^{\circ}C$ $^{\circ}C$	+23 -20 ... +70 -40 ... +70 in connected state IP 65
Weight Material Housing of strain gauge measuring amplifier		KSW-3R16: approx. 7kg / KSW-3R38: approx. 39kg 1.4301 / 1.4542 aluminum die cast

All data according to VDI/VDE/DKD 2638

## Accessoires/Options

Mounting unit XKM 078.0\_  
for fixing the KSW-3R\_\_ on the rope axis

XKM 078.01  
for KSW-3R38



XKM 078.02  
for KSW-3R16

## Order Example

Type Code	Description
KSW-3R38/120kN/D32mm/4-20mA	Rope guard reel 38mm with 120kN rated load
	Amplifier with 4 ... 20 mA
	Rope diameter
	Rated load
	Model

**Caution:** The dimensions of all rolls are optimized according to the rope diameter and the general demand for lower rope wear by the manufacturer.

Type Code	Description
XKE 801	Factory certificate / test certificate
XKM 078.01	Mounting unit for fixing the KSW-3R38 on the rope axis
XKM 078.02	Mounting unit for fixing the KSW-3R16 on the rope axis
	Incremental impuls transmitter for measuring of rope length for the KSW-3R38