

TEDS-sensor identification

Applications

- suitable for mobile display AE 703
- Changing sensors without risk
- suitable also for non A.S.T.-sensors

Features

- calibration data stored in the sensor
- simple data storage with ASTAS
- complies to the standard IEE 1451.4

How it works

Sensor data, that usually are stored in a instrument or amplifier, are now stored in a chip that is part of the sensor plug. This data is for example:

- Rated load
- Sensitivity
- Name of the sensor
- Manufacturer
- Day of calibration
- Data usually stored in „Range“ of the display AE 703

Benefits

The display AE 703 can be connected to any A.S.T.-TEDS-sensor without any setup. On the spot it displays correct values. Users now can operate sensor pools, meaning that a number of sensores can be connected to a number of displays regardless the setup of the displays. A sensorpool can be extended easily – without sending out the display for calibration.

Flexibility

Most of the TEDS data can be changed by the customer. The customers keeps complete control over calibrations, names of Transducers and displayed units.

Calibration

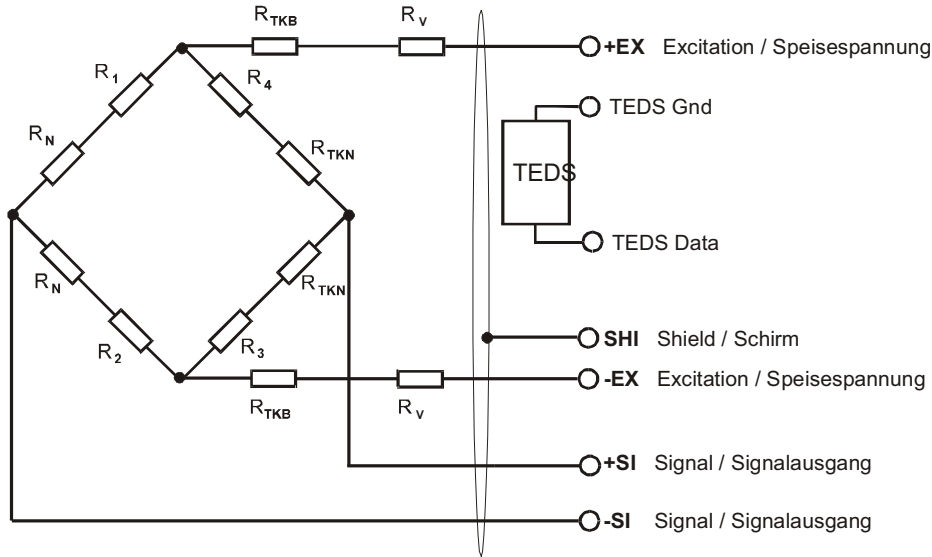
To calibrate the TEDS-Sensor a AE 703 and the Software ASTAS is needed. The calibration features 2 points only. For a 100-per cent tracability to the national standard of force a regular mV/V-calibration of the AE 703 is suggested, the traditionell calibration of sensor and display is another option.

Connection

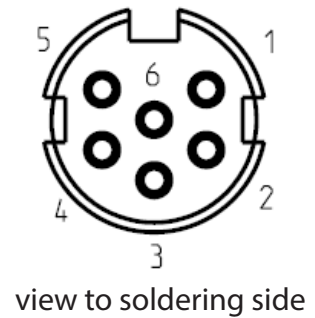
A.S.T.-TEDS can be combined with all strain gage sensors. For TEDS functionality pin 5 and pin 6 of the standard A.S.T.-plug are used. Using sense wires in combination with TEDS is not possible.



Wiring of the plug (TEDS) XKC 071/ XKC 077



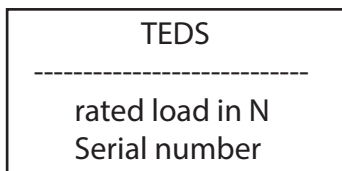
Pin	Signal
1	Excitation - (-EX)
2	Excitation + (+EX)
3	TEDS GND
4	Signal + (+SI)
5	Signal - (-SI)
6	TEDS DATA



Marking

TEDS-sensores from A.S.T. feature plugs labeled with AST / TEDS.

After starting the AE 703 with a TEDS-Sensor connected a TEDS-information will be displayed



Error displays

Flashing „T“ means: a TEDS-Sensor with invalid data has been detected.

Restart the device or repair the data in the plug with ASTAS.

Type code / Description

	Type code	Description
plug	XKC 071	6-pin plug (TEDS) mounted to the sensor and adjusted
	XKC 077	6-pin plug with TEDS (Mounting and setup too be done by the customer)