

# KAZ-A Tension Force Transducer

## Application

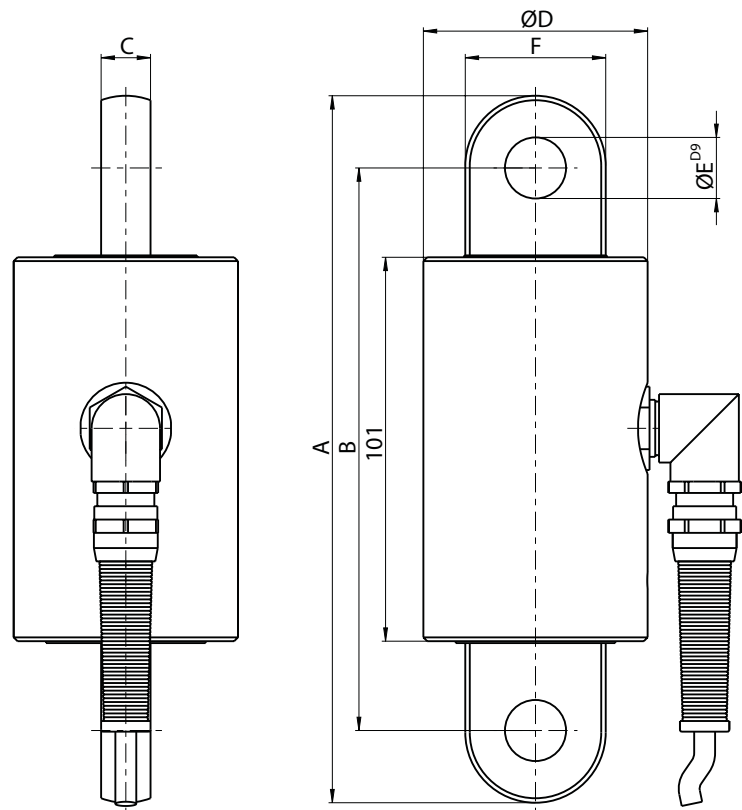
- Sensor for direct load measurement in ropes and guy wires
- Assembly technology
- Inspection of back up devices, slacklines, climbing equipment



## Features

- 1t up to 12 t
- Accuracy class 0.1 %
- Made from stainless steel
- Environmental protection IP 65

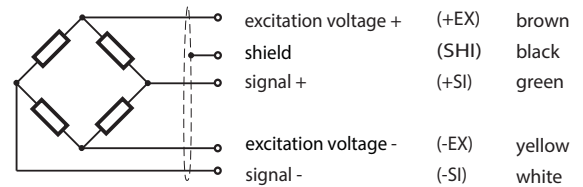
## Dimensions (mm)



Rated Load in t	A	B	C	D	E	F	Masse
1	148	128	6	49	8	20	1.3kg
2	162	136	8	49	10	25	1.5kg
3.2	170	140	10	59	12	30	2.0kg
5	186	148	13	59	16	37	2.2kg
8	206	158	16	69	20	48	3.2kg
12	226	176	19	69	24	48	3.5kg

## Wiring Code

Cable length 3m



## Specifications

Accuracy Class	% F <sub>nom</sub>	0.1
Rated force (F <sub>nom</sub> )	t	1/ 2/ 3.2/ 5/ 8/ 12
Maximum operating force (F <sub>G</sub> )	% F <sub>nom</sub>	150
Breaking force (F <sub>B</sub> )	% F <sub>nom</sub>	>500
Rated characteristic value (C <sub>nom</sub> )	mV/V	1.2 ± 0.2
Relative deviation of zero signal	%	≤ 1
Reference excitation voltage (U <sub>ref</sub> )	VDC	10
Operating range of excitation voltage (B <sub>UG</sub> )	VDC	0.5 ... 12
Input resistance (R <sub>e</sub> )	Ω	380 ± 30
Output resistance (R <sub>a</sub> )	Ω	352 ± 1.5
Insulation resistance (R <sub>is</sub> )	Ω	> 5 × 10 <sup>9</sup>
Relative linearity error (d <sub>lin</sub> )	%	≤ 0.1
Relative reversibility error (v)	%	≤ 0.1
Temperature effect on zero signal (TK <sub>0</sub> )	%/10K	≤ 0.1
Temperature effect on charact. value (TK <sub>C</sub> )	%/10K	≤ 0.1
Relative creep over 30 minutes (d <sub>cr, F+E</sub> )	%	≤ 0.1
Reference temperature (T <sub>ref</sub> )	°C	+23
Rated temperature range (B <sub>T, nom</sub> )	°C	-25 ... +60
Operating temperature range (B <sub>T, G</sub> )	°C	-30 ... +70
Storage temperature range (B <sub>T, S</sub> )	°C	-40 ... +70
Environmental protection (EN 60529)		IP 65

All data according to VDI/VDE/DKD 2638

## Order Example

Type Code	Description
KAZ-A / 12t / 0.1	Tension force transducer 12t with 0.1% accuracy class
	Accuracy class
	Rated load
	Model

## Options

	Rated load	Chain coupler KV	Master link AF	Clevis sling hook GHS
	1t	KV-6-8 - 1120kg	AF13 - 1600kg	GHS 6/7-8 - 1500kg
	2t	KV-8-8 - 2000kg	AF16 - 2360kg	GHS 8-8 - 2000kg
	3.2t	KV 10-8 - 3150kg	AF18 - 3150kg	GHS 10-8 - 3150kg
	5t	KV 13-8 - 5300kg	AF22 - 5300kg	GHS 13-8 - 5300kg
	8t	KV 16-8 - 8000kg	AF26 - 8000kg	GHS 16-8 - 8000kg
	12t	KV 18/20-8 - 12500kg	AF32 - 12500kg	GHS 18/20-8 - 12500kg