

KAN Force Transducer

Application

- Calibrations
- Scales

Features

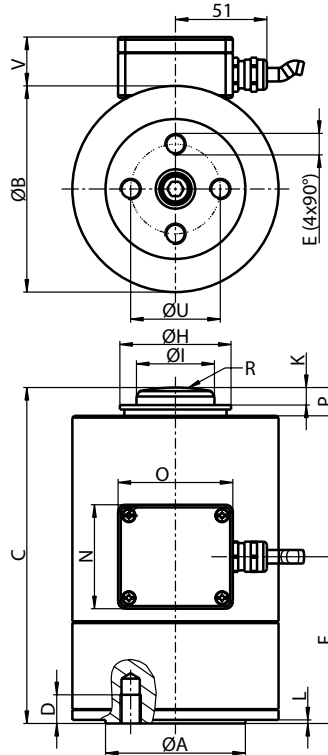
- 100kN up to 200kN
- Integrated transverse force protection
- Hermetically sealed enclosure (IP 67)
- Appliances for easy assembly

Options

- Integrated amplifier with standard signal
- CANopen interface

Dimension (mm)

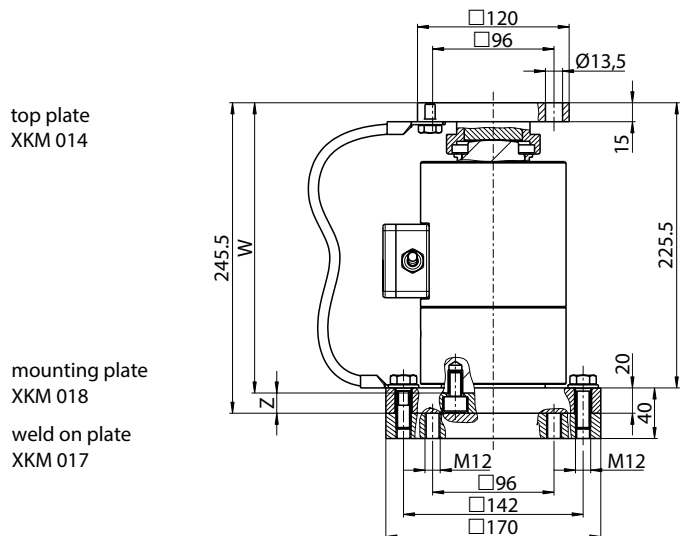
Rated force (kN)	A	B	C	D	E	F
100/ 200	82	115	200	18	M12	68.5



Rated force (kN)	H	I	K	L	N	O	P	R	U	V	W	Z	Weight
100/ 200	56	40	6.5	7	58	64	17	125	60	28	229.5	16	9.5kg

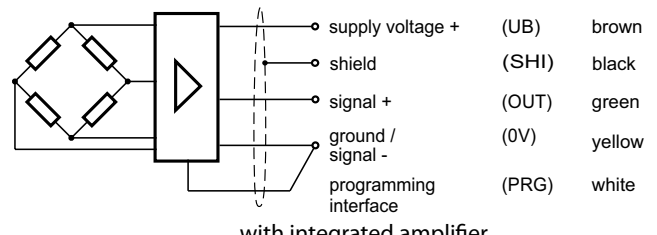
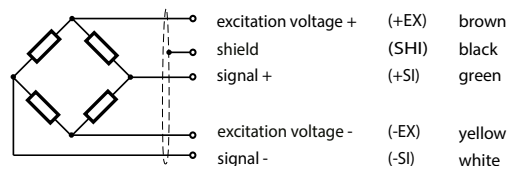
Appliances for Installation and Mounting

KAN with top plate, mounting plate and weld on plate



Wiring Code

Cable length 3m



with integrated amplifier
(0V and PRG to be connected by the customer)

Specification

Accuracy Class	% F _{nom}	0.1	0.05	0.2 ¹⁾ with Integrated Amplifier
Rated force (F _{nom})	kN	100/ 200		100/ 200
Maximum operating force (F _G)	% F _{nom}	150		150
Breaking force (F _B)	% F _{nom}	> 500		> 500
Lateral force limit (F _Q)	% F _{nom}	100		100
Rated characteristic value (C _{nom})	mV/V	2.000 ± 0.002		
Relative deviation of zero signal	%	≤ 1		
Reference excitation voltage (U _{ref})	VDC	20		
Input resistance (R _e)	Ω	380 ± 30		
Output resistance (R _a)	Ω	352 ± 1.5		
Insulation resistance (R _{is})	Ω	> 5 × 10 ⁹		
Relative linearity error (d _{lin})	%	≤ 0.10	≤ 0.05	0.10
Relative reversibility error (v)	%	≤ 0.10	≤ 0.05	
Temperature effect on zero signal (TK ₀)	%/10K	≤ 0.05	≤ 0.025	0.20
Temperature effect on character. value (TK _c)	%/10K	≤ 0.10	≤ 0.05	
TK of output signal under load	%/10K			0.10
Relative creep over 30 minutes (d _{cr, F+E})	%	≤ 0.10	≤ 0.05	0.20
Tolerance of output signal	%			0.10
Tolerance of zero signal	%			≤ 3
Reference temperature (T _{ref})	°C	+23		+23
Rated temperature range (B _{T, nom})	°C	-20 ... +60		-20 ... +60
Operating temperature range (B _{T, g})	°C	-30 ... +70		-30 ... +70
Storage temperature range (B _{T, s})	°C	-40 ... +70		-40 ... +70
Environmental protection (EN 60529)		IP 67		IP 67
Supply voltage	VDC			19 ... 28
Input current	mA			35 (at 24V)
Output signal for compressive force (0...F _N)				11 ... 15
Alternatively:				20 (at 12V)
- Voltage output signal (max. load: 5mA)	V			0 ... 10
- Current output (max. resistance)	mA			0 (4) ... 20 (300 Ω) 0 (4) ... 20 (100 Ω)

All data according to VDI/VDE/DKD 2638

1) Accuracy class 0.1 upon request

Order Example

Type Code	Description
KAN-E/200kN/0.2/24V/0 ... 10V	Force transducer 200kN with 0.2% accuracy class and integrated amplifier
	Output signal
	Supply voltage
	Accuracy class
	Rated force
	E = Integrated amplifier
	Model

Accessoires/ Options

	Type Code	Description
Top plate	XKM 014	for KAN 100kN and 200kN
Mounting plates	XKM 018	for KAN 100kN and 200kN
Weld on plate	XKM 017	for mounting plate XKM 018
Protective cable	XKC 018	for all types