

BS 805 Switching Amplifier

Application

- Truck and hoist with two adjustable switching points
- Safety mode according to DIN EN 13849-1: Performance-Level PLC



Features

- Input: Strain gauge respectively 4/20mA
- Output: 4/20mA, two switching points
- Supply voltage: 24VDC respectively 230VAC
- Case: IP65 respectively DIN rail IP 40
- Software XKS805: Setup, parameterisation, storage



Foto: BS 805.11



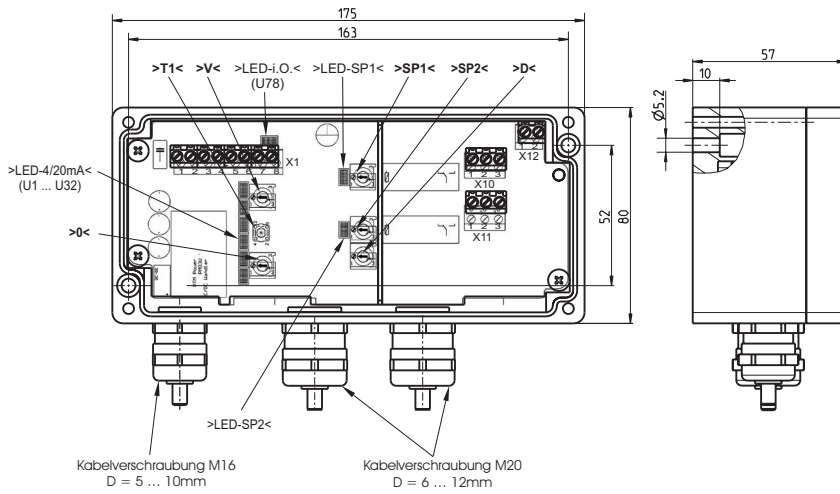
Foto: BS 805.21

BS 805.y1

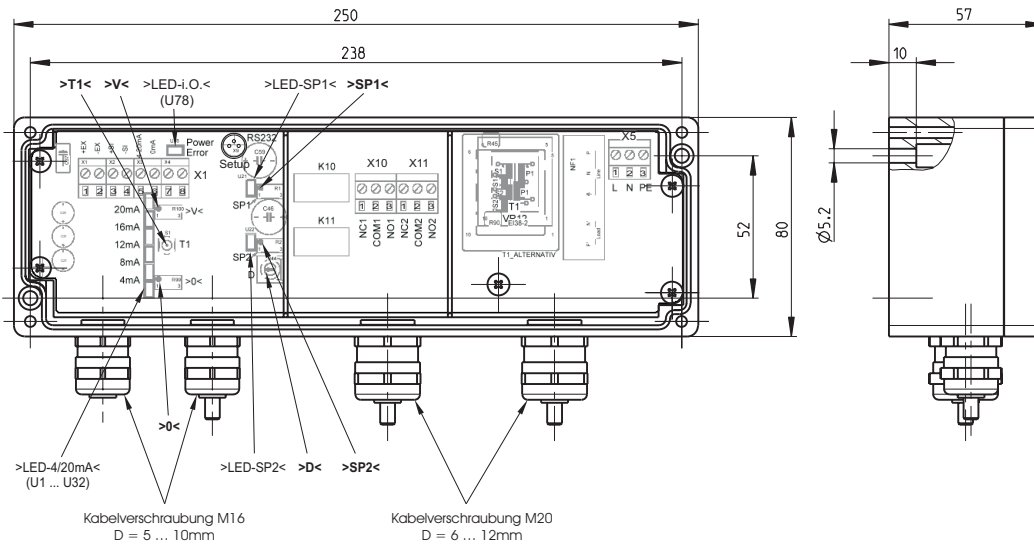
- 1 Strain gauge switching amplifier
- 0 Supply voltage 10...30VDC / Case IP 65 - die cast
- 1 Supply voltage 230VAC / Case IP 65 - die cast
- 2 Supply voltage 10...30VDC / Case IP 40 - DIN rail

Dimensions/ Wiring Code

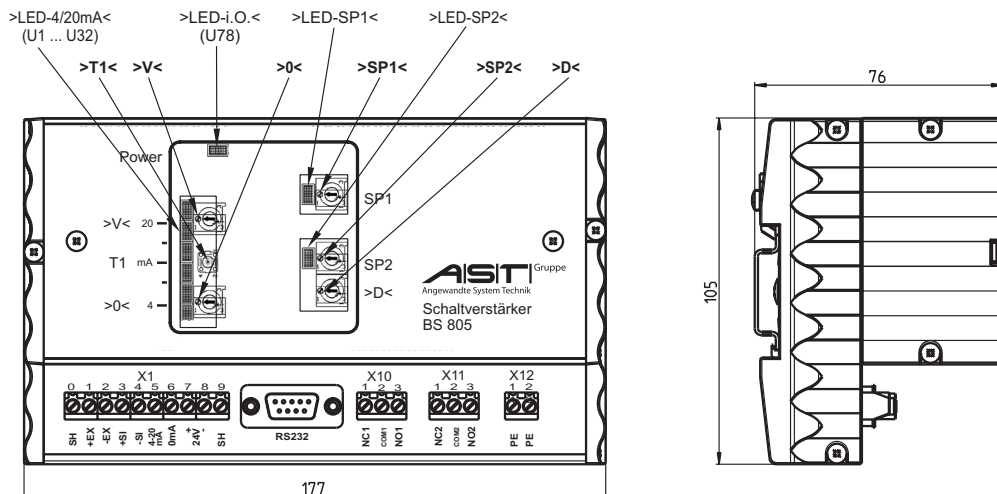
BS 805.01 Strain gauge switching amplifier Supply voltage 10...30VDC / Case IP 65 - die cast



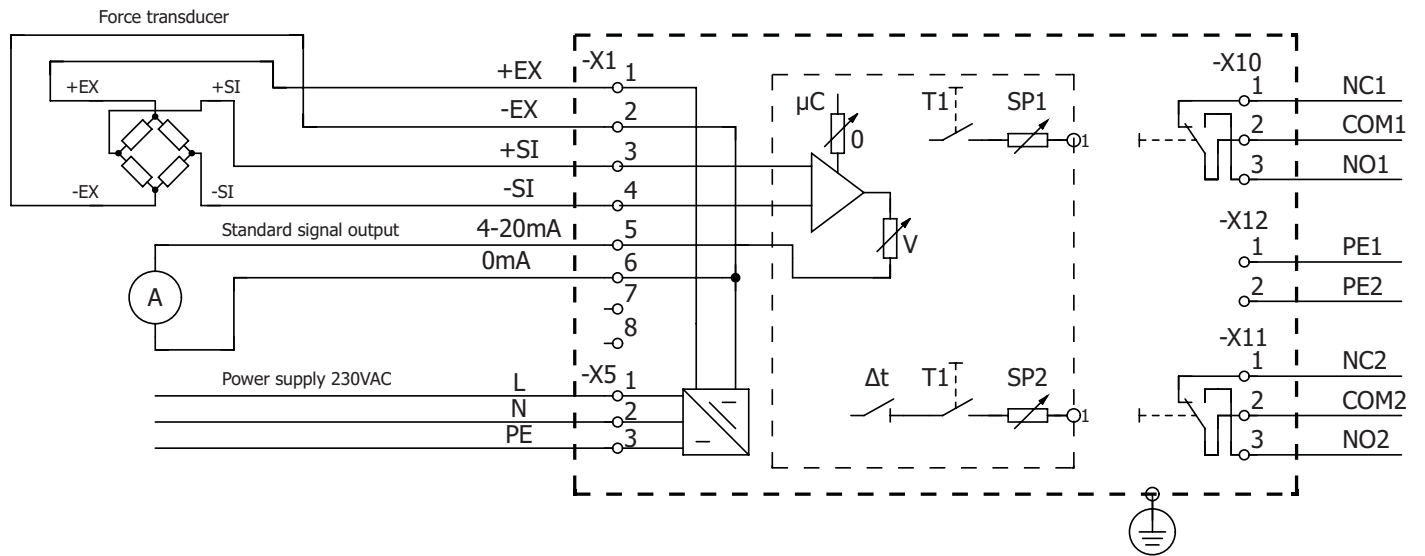
BS 805.11 Strain gauge switching amplifier Supply voltage 230VAC / Case IP 65 - die cast



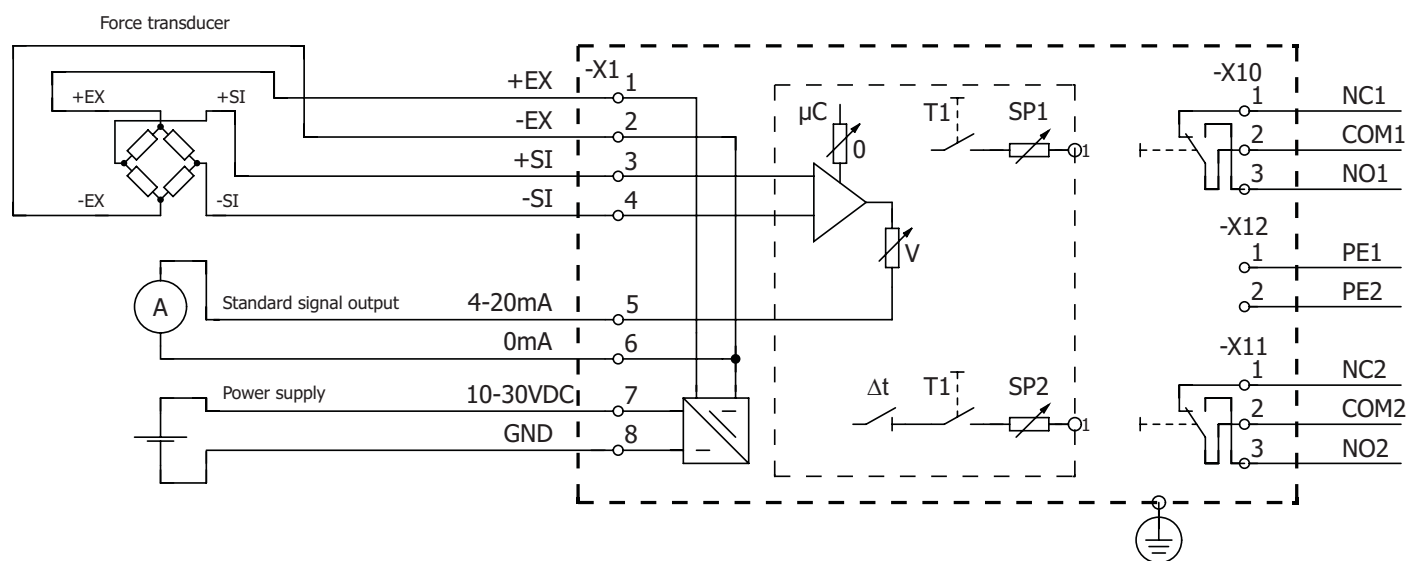
BS 805.21 Strain gauge switching amplifier Supply voltage 10...30VDC / Case IP 40 - DIN rail



BS 805.11



BS 805.01/ BS 805.21



Specifications

		BS 805.01 / BS 805.11 / BS 805.21
Type		
Signal Input		
Input signal range	mV/V	-2.5 ... +2.5
Resistance of strain-gauge bridge	Ω	350 ... 1000
Excitation voltage for sensor	VDC	approx. 4
Conversion rate	Hz	20
Error at 2mV/V respectively 16mA		
Reproducibility the settings	%	0.5
Relative linearity error	%	0.2
Relative responsibility error	%	0.2
Temperature effect on zero signal	%/10K	0.2
Temperature effect on characteristic value	%/10K	0.2
Signal Output		
Output signal	mA	4 ... 20
Display		6 LED's on 4mA-steps
Zero point range	mV/V	± 0.5
Full load range	mV/V	0.8 ... 2.5
Constant current adjustable	mA	2 ... 22
Load resistance (burden)	Ω	300
Relay Output SP1/ SP2		LED-Display for Switching Status
Switching point adjustable	mA	4 ... 22
Switching hysteresis adjustable with >T1<	mA	0.05 - 0.1 - 0.5 - 1 - 2
Switching delay >D< during overstepping	Sec	0 ... 5
Switching voltage/ Switching current		250V / 6A with resistive load
Normal/ Inverse with > T1<		- adjustable-
Power Supply		LED-display for stand by
Nominal voltage BS 805.11	VAC	230 (-15%/+10%)
Nominal voltage BS 805.01 und 805.21	VDC	10 ... 30
Current consumption	A	max. 0.3
Environmental Condition		
Rated temperature range	°C	-25 ... +60
Storage temperature range	°C	-40 ... +70
Noise immunity		DIN EN 61000-6-2
Emitted interference		DIN EN 55011-B
Oscillating resistance		DIN EN 60068-2-6
Shock resistance		DIN EN 60068-2-27/-29
Construction		
Weight BS 805.01/805.11/805.21	kg	approx. 0.7/ 1.1/ 0.5
Dimensions (W x H x D)	mm	see dimensions in drawing
Environmental protection according to EN 60529		IP 65 for BS 805.01 and 805.11 / IP 40 for BS 805.21
Admissible conductor cross-section	mm ²	0.14 ... 1.5
Protection class		I

Options

Setup-connection cable for software XKS 805	XKC 111.02	for BS 805.21
	XKC 269	for BS 805.01 and BS 805.11